

PCMK - Premium Choice Motion Sensing Kit

JencoFan

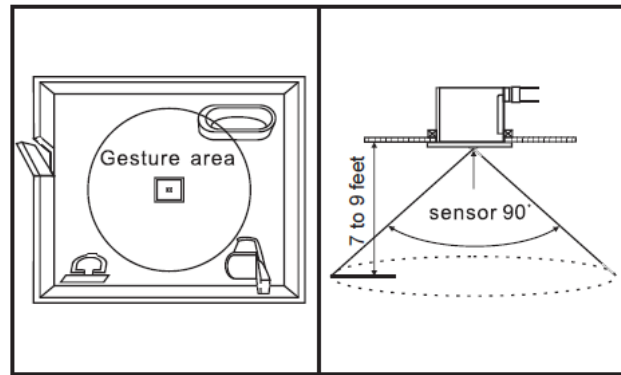
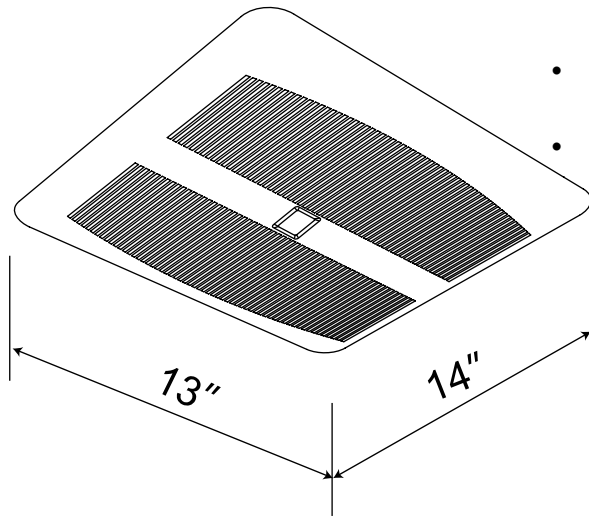
6393 Powers Avenue
 Jacksonville, Florida 32217-2298
 P: 904.731.4711 / F: 904.737.8322
 www.Jencofan.com

Soler&Palau
 Ventilation Group

Grille Features:

- Installation Distance: 7 to 9 feet
- Sensing range is within the cone of angle of 90°
- Adjustable Time Delay shut-off from 3 to 30 minutes
- Adjustable continuous speed or intermittent reduced speed up to 50%
- One LED light is a sensor indicator and the other 5 LED lights are the night light which is operation by a switch
- Compatible with PC80, PC110 & PC150 fans

Dimensions (inches)



ACCESSORY MODEL	1	2	3	4	5	REMARKS

Project: _____	Submitted: _____
Customer: _____	Approved: _____
Location: _____	

For more information contact the factory for additional submittal drawings.

JencoFan will not be responsible for fabrication changes or errors resulting from customer use of a non-current submittal drawing.

Soler&Palau
 Ventilation Group